

## Raspberry Pi Wireless Module

### Overview

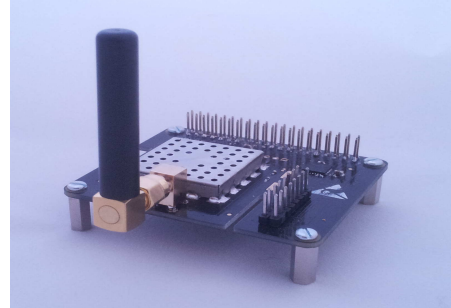
The Raspberry Pi Wireless Module allows the user to remotely login to a Raspberry Pi from a distance of up to a few kilometers.

### Applications

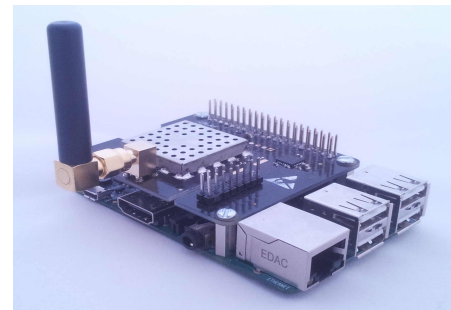
- Remote Sensing and Telemetry
- Robotics

### Main Features

- Simple to use, the user works with the remote Raspberry Pi as if it was connected locally via RS232 console port.
- Long Range RF Transceiver, between 4-7km with direct line of site.
- Configurable frequency band and channel number, allows one host to communicate with multiple remote clients.



Wireless Module By Itself



Wireless Module Attached To Raspberry Pi

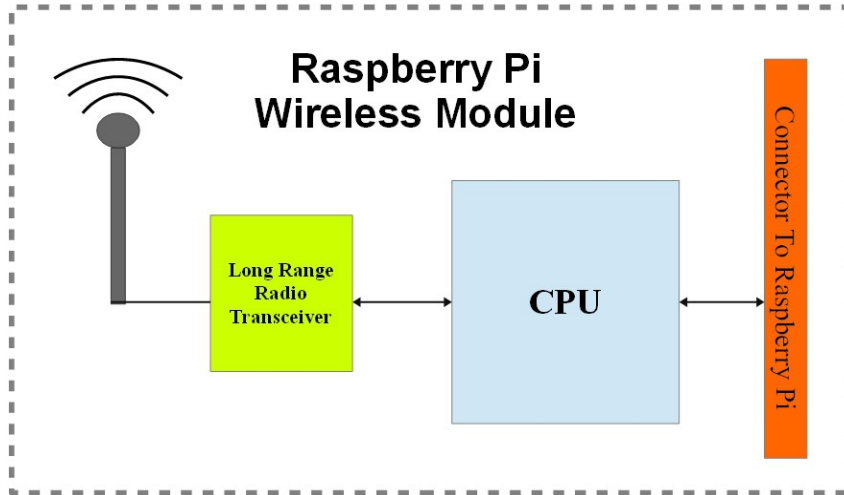
### Wireless Performance

Max Power Consumption	0.5W
Radio Output Power	20dBm
Wireless Range	4-7km, <b>Note 1</b>
Data Throughput	500Kbit/s, <b>Note 2</b>

**Note 1:** Typical open field, direct line of site results..

**Note 2:** Total available data throughput in one direction, would be split in two if both sides are transmitting at the same time. Data throughput gets reduced as the distance increases, and as radio congestion increases in the working area.

## Block Diagram



## Typical Application

### Raspberry Pi Remote Control Application

